

COMPACT & ROBUST FREQUENCY-STABILISED LASER

60x40x15.5mm



FLAME - 780

Frequency-Stabilized
Laser Module with
Integrated Reference
Cell

FLAME-780 is a compact, frequency stabilised laser module with integrated vapour cell that allows locking to spectral features of an atomic reference. The FLAME laser module is fabricated using Alter Technology UK's advanced packaging techniques that employ high reliability telecoms manufacturing and space qualified processes.

Key Features

- Robust miniaturized laser with integrated reference cell
- 150 mW output power
- Typical linewidth 150 kHz, 100ms
- Available with free space or fibre output
- 780 nm standard, other wavelengths available on request

Benefits

- Stable frequency lock
- Small size, 60x40x15.5mm
- No moving parts or piezo
- 40 GHz mode-hop free tuning

ALTER TECHNOLOGY

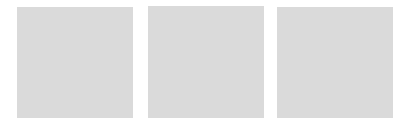
5 Bian Square, Livingston Scotland.

UK EH54 2DQ

T : +44 1506 403 550

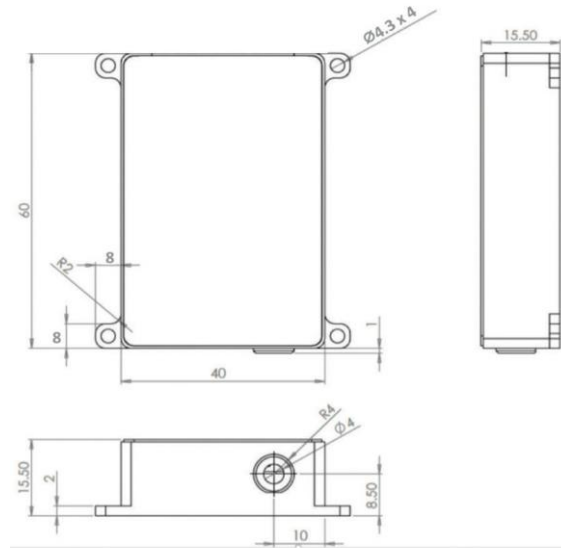
Info@uk.altertechnology.com

Altertechnology-group.com



TUVNORDGROUP

Mechanical Dimensions



Typical Performance

Parameter	Value
Wavelength*	780.24 nm
Linewidth	<200 kHz
Output power	>150mW
Amplitude stability with frequency control	< 0.1 %
Beam characteristics	0.5 mm FWHM, TEM00
Divergence	< 2 mrad FWHM
Polarization	Linear, 100:1
Operating temperature range	+15 to +30 °C

*Other wavelengths available on request